
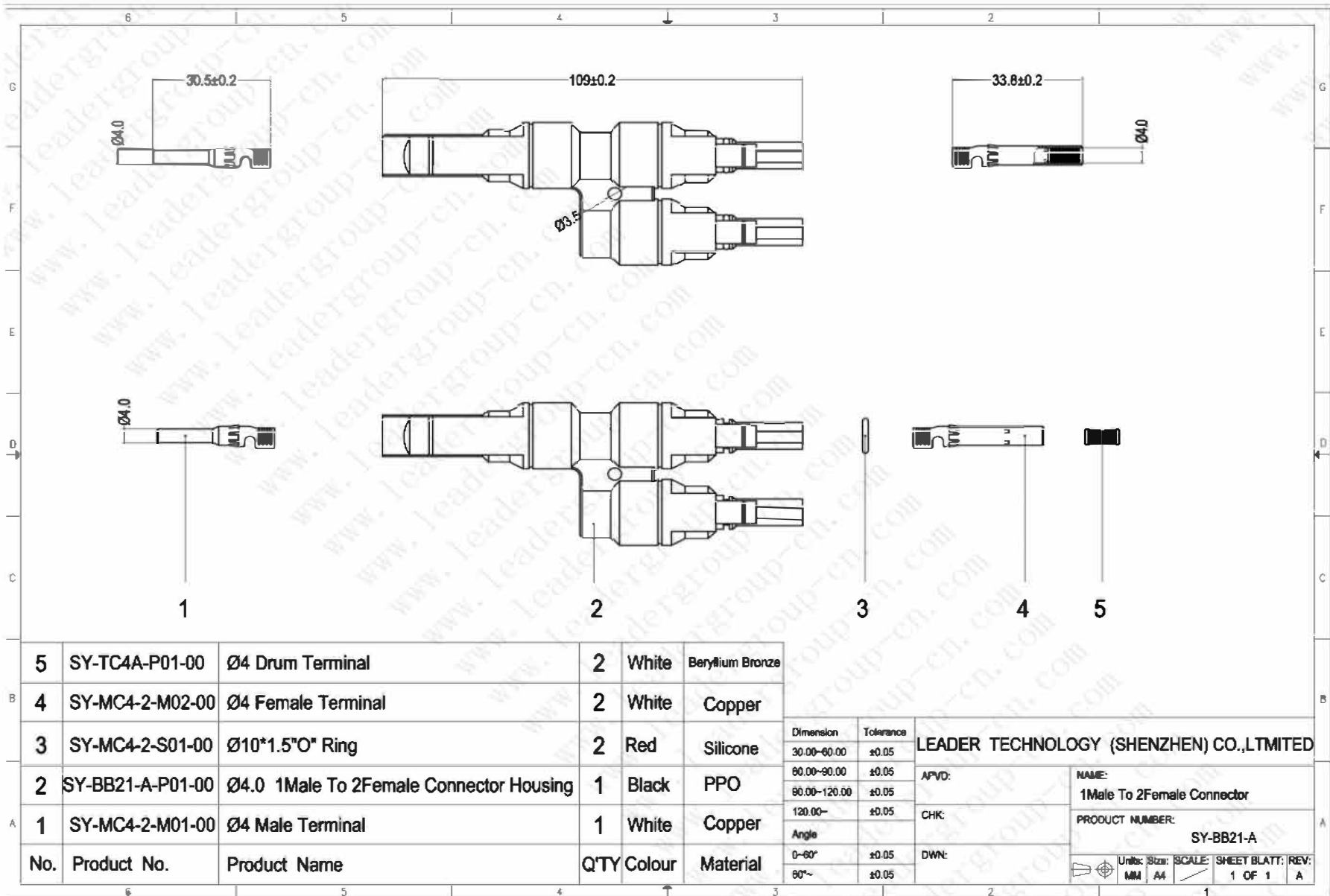


Item	Model No	Picture	Specification	state
NO.1	SY-BB21-A/B		<p>1.Contact: Tin-plated copper</p> <p>2.Waterproof: IP67</p> <p>3.Housing material: 100% GE PPO.</p> <p>4. Rated Voltage: TUV1500V DC</p> <p>5.pin Dimension: 4.0mm</p> <p>6.Temperature Range: -40°C~+90°C</p> <p>7.Flame Class:UL94V-0</p> <p>8.Resistance: $\leq 5\text{m}\Omega$</p> <p>9.Pollution degree:2</p> <p>10.Protection Class: Class II</p>	



5	SY-TC4A-P01-00	Ø4 Drum Terminal	2	White	Beryllium Bronze
4	SY-MC4-2-M02-00	Ø4 Female Terminal	2	White	Copper
3	SY-MC4-2-S01-00	Ø10*1.5"O" Ring	2	Red	Silicone
2	SY-BB21-A-P01-00	Ø4.0 1Male To 2Female Connector Housing	1	Black	PPO
1	SY-MC4-2-M01-00	Ø4 Male Terminal	1	White	Copper
No.	Product No.	Product Name	QTY	Colour	Material

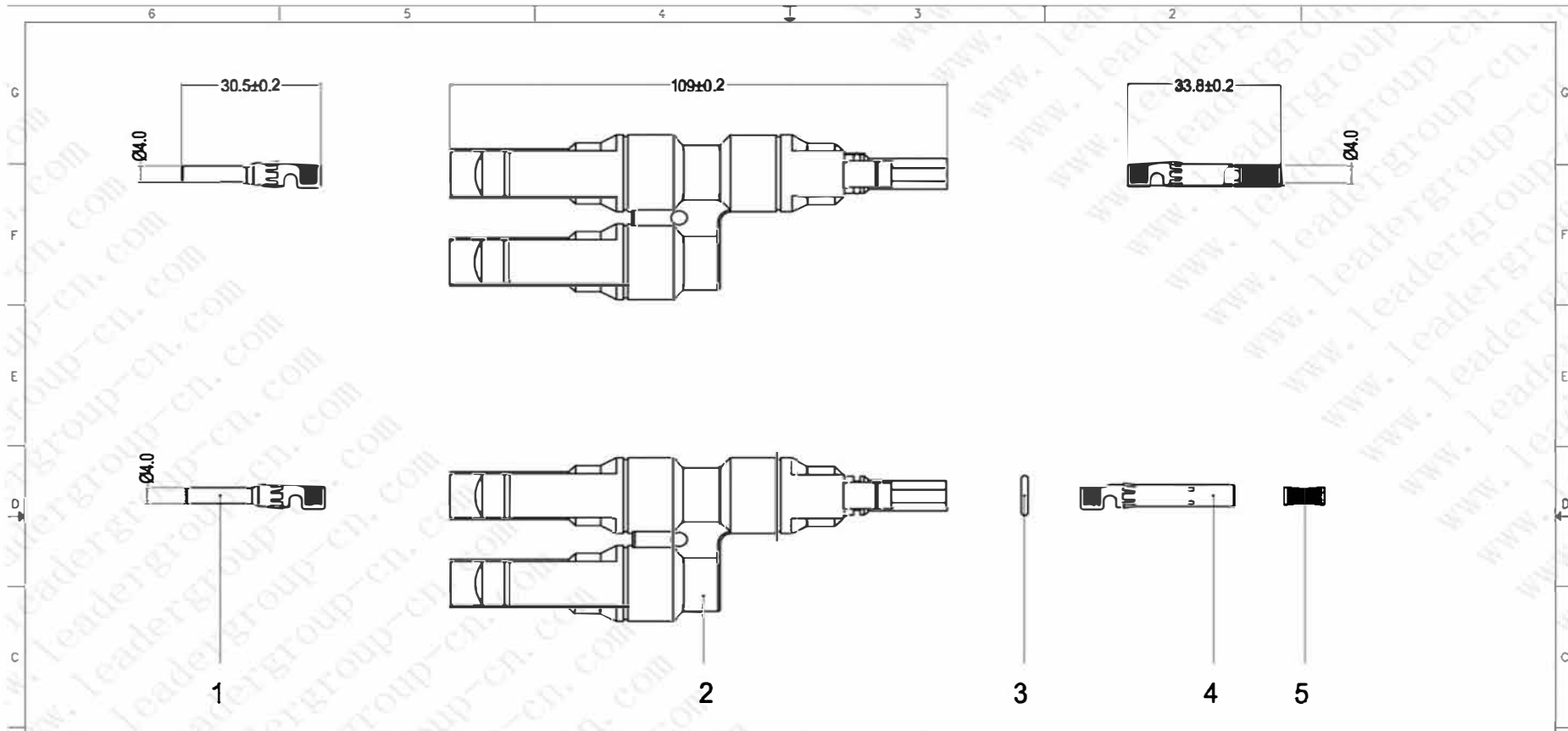
Dimension	Tolerance
30.00-60.00	±0.05
60.00-90.00	±0.05
90.00-120.00	±0.05
120.00~	±0.05
Angle	
0-60°	±0.05
60°~	±0.05

LEADER TECHNOLOGY (SHENZHEN) CO.,LTMITED

NAME:
1Male To 2Female Connector

PRODUCT NUMBER:
SY-BB21-A

CHK: _____ DWN: _____
 Units: Size: SCALE: SHEET BLATT: REV:
 MM A4 1 OF 1 A



5	SY-TC4A-P01-00	Ø4 Drum Terminal	1	White	Beryllium Bronze
4	SY-MC4-2-M02-00	Ø4 Female Terminal	1	White	Copper
3	SY-MC4-2-S01-00	Ø10*1.5*O° Ring	1	Red	Silicone
2	SY-BB21-B-P01-00	Ø4.0 1Female To 2Male Connector Housing	1	Black	PPO
1	SY-MC4-2-M01-00	Ø4 Male Terminal	2	White	Copper
No.	Product No.	Product Name	QTY	Colour	Material

Dimension	Tolerance	LEADER TECHNOLOGY (SHENZHEN) CO.,LTMITED	
30.00-60.00	±0.05	APVD:	NAME: 1Female To 2Male Connector
60.00-90.00	±0.05		
90.00-120.00	±0.05		CHK:
120.00-	±0.05	DWN:	
Angle			
0-60°	±0.05		
60°-	±0.05		

Unit: Size: SCALE: SHEET BLATT: REV:
 MM A4 / 1 OF 1 A