



Specification

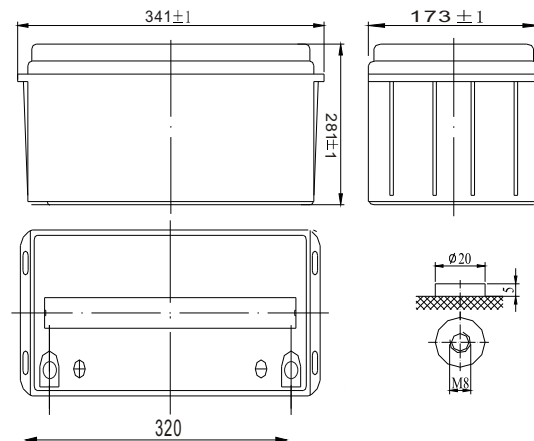
Nominal Voltage	12V
Number of cell	6
Design Life	10 years
Nominal Capacity 77°F(25°C)	
20 hour rate (7.50A,10.5V)	135AH
10 hour rate (12.9A,10.5V)	129AH
5 hour rate (25.4A,10.5V)	117AH
1 hour rate (89.1A,10.5V)	89.1AH
Internal Resistance	
Fully Charged battery 77°F(25°C)	3.7mOhms
Self-Discharge	
3% of capacity declined per month at 20°C(average)	
Operating Temperature Range	
Discharge	-20~60°C
Charge	-10~60°C
Storage	-20~60°C
Max. Discharge Current 77°F(25°C)	1000A(5s)
Short Circuit Current	2700A
Charge Methods: Constant Voltage Charge 77°F(25°C)	
Cycle use	14.4-14.7V
Maximum charging current	40.5A
Temperature compensation	-30mV/°C
Standby use	13.6-13.8V
Temperature compensation	-20mV/°C

General Features

- Silica gel technology for longer cycle life and better performance at cold ambient temperatures.
- Special sheet separator and colloidal or foamed silica.
- Deep discharge cycle increased by 50% as compared with the AGM battery.
- High reliability and quality.
- Excellent recovery from deep discharge.
- Living up prevailing standards.

Dimensions and Weight

Length(mm / inch)	341 / 13.42
Width(mm / inch)	173 / 6.77
Height(mm / inch)	281 / 11.06
Total Height(mm / inch)	281 / 11.06
Approx. Weight(Kg / lbs)	42.5 / 93.7
Standard Terminal	I



Discharge Constant Current (Amperes at 77°F25°C)

End Point Volts/Cell	5min	10min	15min	30min	1h	3h	5h	10h	20h
1.60V	473	324	236	141	89.1	36.8	25.7	13.9	7.77
1.65V	425	295	230	138	88.9	36.7	25.6	13.6	7.70
1.70V	401	284	221	135	88.6	36.5	25.5	13.1	7.61
1.75V	359	263	209	132	87.8	36.4	25.4	12.9	7.50
1.80V	324	244	200	128	86.7	36.3	25.1	12.5	7.38

Discharge Constant Power (Watts at 77°F25°C)

End Point Volts/Cell	5min	10min	15min	30min	1h	3h	5h	10h
1.60V	778	537	419	267	176	70.7	49.2	28.6
1.65V	738	530	414	262	169	70.6	49.1	28.2
1.70V	689	517	408	255	165	70.5	49.0	28.0
1.75V	643	483	383	248	162	69.7	48.7	27.3
1.80V	576	449	360	241	160	68.7	47.9	27.0

