

- ◆ 51.2V-100Ah
- ◆ 25.6V-200Ah / 100Ah
- ◆ 12.8V-200Ah / 100Ah / 60Ah



Designed with the latest generation quality components, TommaTech LiFePO<sub>4</sub> Lithium Batteries are available in a variety of capacities at three voltage options as 12.8V, 25.6V, 51.2V.

Combining aesthetic appearance with great performance, TommaTech LiFePO<sub>4</sub> Lithium Batteries offer all the capacities they have unlike conventional batteries and also have considerably higher cycle number and usage time with the contained technology.



### High Performance

Great performance with new generation LiFePO<sub>4</sub> technology



### Smart Battery Management System

Safe to use structure with advanced internal BMS technology



### Long Lifespan

Long lifespan up to 5000 cycles



### Durable Metal Case

Aesthetic, compact and durable metal cabinet design



### Bluetooth Monitoring & Controlling

Manage lithium battery via mobile app or web browser



### Expandable Capacity

Increase capacity safely and without loss with Parallel Combiner Box



### IP67 Protection Class

IP67 compatible metal cabinet and connector components

### Parallel Combiner Box

Via lithium battery parallel combiner box, that can be fully compatible with TommaTech LiFePO<sub>4</sub> Lithium batteries, if more energy is required, 2 or 4 lithium batteries can be connected in parallel safely and without losing performance.

TommaTech LiFePO<sub>4</sub> Smart Lithium Batteries provide detailed performance analysis via mobile app or web browser.

Moreover, thanks to the built-in smart BMS system with many safety functions, the parameters of the LiFePO<sub>4</sub> lithium battery can be arranged and remotely controlled easily.



Smart Digital Display



High Quality Components



Compact Design

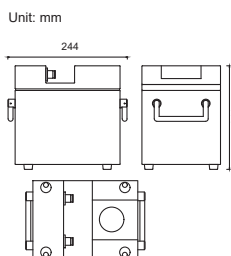


## TECHNICAL SPECIFICATIONS

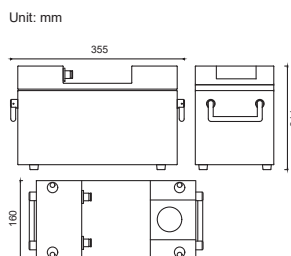
	12.8V-60Ah	12.8V-100Ah	12.8V-200Ah	25.6V-100Ah	25.6V-200Ah	51.2V-100Ah
<b>VOLTAGE - CAPACITY</b>						
Nominal Voltage [V]	12.8	12.8	12.8	25.6	25.6	51.2
Nominal Capacity [Ah]	60	100	200	100	200	100
Maximum Charge Current [A]	30	30	30	50	50	50
Maximum Discharge Current [A]	60	60	60	100	100	100
Nominal Energy [Wh]	768	1280	2560	2560	5120	5120
Charge Voltage Limit [V]	14.4±0.2	14.4±0.2	14.4±0.2	28.8±0.2	28.8±0.2	57.6±0.2
Over Voltage Disconnect Voltage [V]	15.6±0.2	15.6±0.2	15.6±0.2	31.2±0.2	31.2±0.2	62.4±0.2
Decharge Voltage Limit [V]	10.6±0.2	10.6±0.2	10.6±0.2	21.2±0.2	21.2±0.2	42.4±0.2
Under Voltage Disconnect Limit [V]	11.1±0.2	11.1±0.2	11.1±0.2	22.2±0.2	22.2±0.2	44.4±0.2
<b>CYCLE CAPACITY (25 °C)</b>						
%100 D.O.D				2600 Cycles		
%50 D.O.D				3400 Cycles		
%30 D.O.D				4800 Cycles		
<b>STANDARD</b>						
Over Charge Protection				Yes		
Over Discharge Protection				Yes		
Over Current Protection				Yes		
Short-Circuit Protection				Yes		
Temperature Protection				Yes		
Safety				IEC 61960 / 62133-2		
<b>WORKING CONDITIONS</b>						
Working Temperature [°C]				-20 ~ +70		
Storage Temperature [°C]				-45 ~ +70		
Humidity [Non-Condensing] [%]				Maksimum %95		
Ingress Protection				IP 67		
Calender Life [Year]				>10		
Warranty [Year]				2		
<b>OTHER</b>						
Dimensions (WxDxH) [mm]	244x160x211	355x160x211	355x180x322	355x180x322	614x315x211	614x315x211
Weight [kg]	11.0±0.5	15.5±0.5	28.5±0.5	28.5±0.5	53.0±0.5	53.0±0.5
Battery Connection	Plus (+) and Minus (-) Connector Head with IP 67 Protection Class					
Connection Type	Parallel ( It is not recommended to use batteries in series)					

## PHYSICAL CHARACTERISTICS

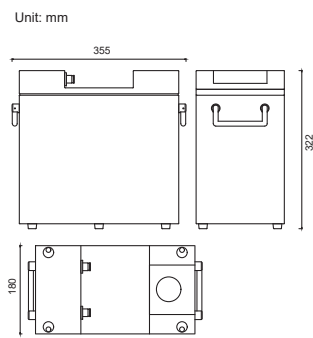
### »» 12.8V - 60Ah



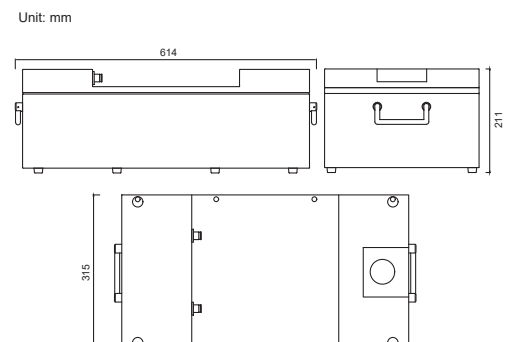
### »» 12.8V - 100Ah



### »» 12.8V - 200Ah »» 25.6V - 100Ah



### »» 25.6V - 200Ah »» 51.2V - 100Ah



\* TommaTech GmbH reserves the right to change the specification of products without prior notice.