

SUN2000-110KTL-M0

Smart String Inverter



Smart I-V Curve
Diagnosis Supported



String-level
Management



98.6%
Max. Efficiency



Surge Arresters
for DC & AC



Fuse Free
Design



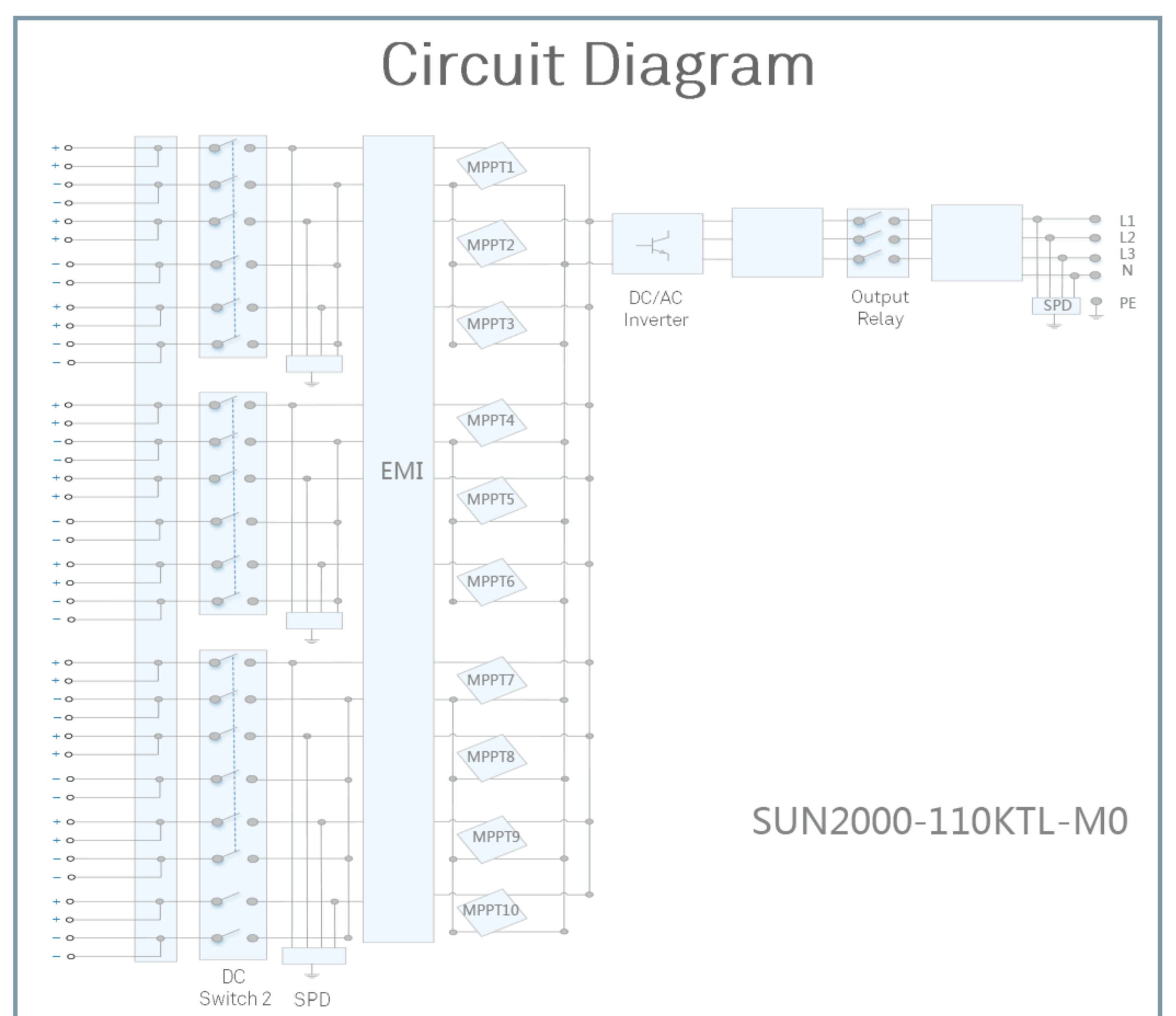
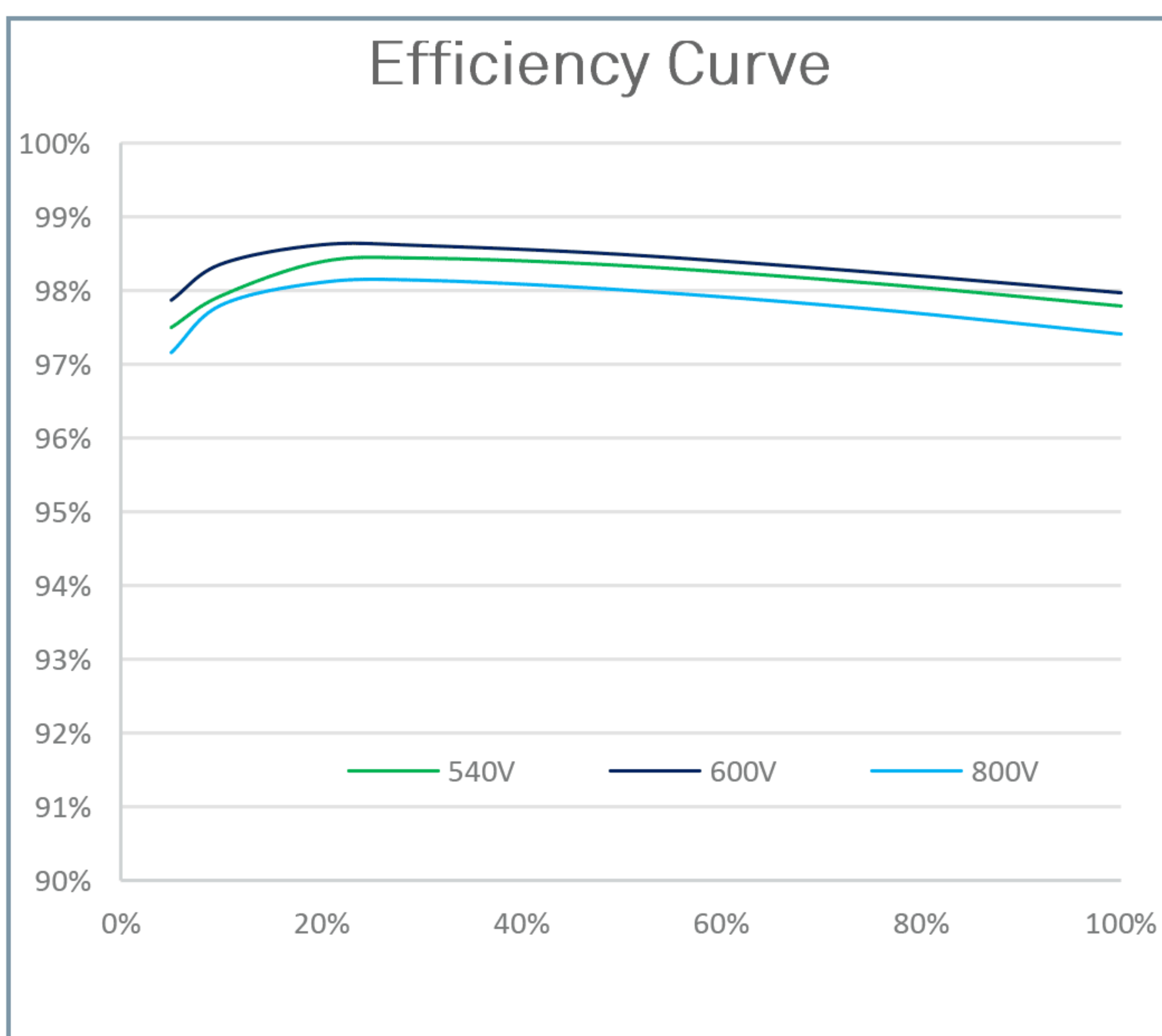
Residual Current
Monitoring Integrated



IP65
Protection



MBUS Supported



SUN2000-110KTL-M0

Technical Specifications

Efficiency	
Max. Efficiency	98.6%
Chinese Efficiency	98.1%
Input	
Max. Input Voltage	1,100 V
Max. Current per MPPT	26 A
Max. Short Circuit Current per MPPT	40 A
MPPT Operating Voltage Range	200 V ~ 1,000 V
Rated Input Voltage	600 V
Number of Inputs	20
Number of MPP Trackers	10
Output	
Rated AC Active Power	110,000 W
Max. AC Apparent Power	121,000 VA
Max. AC Active Power (cosφ=1)	121,000 W
Rated Output Voltage	3 × 220 V/380 V, 3 × 230 V/400 V, 3W+N+PE
Rated AC Grid Frequency	50 Hz
Rated Output Current	167.2A (380Vac) , 158.8A (400Vac)
Max. Output Current	185.7A (380Vac) , 176.4A (400Vac)
Adjustable Power Factor Range	0.8 超前 ... 0.8 滞后
Max. Total Harmonic Distortion	< 3%
Protection	
Input-side Disconnection Device	Yes
Anti-islanding Protection	Yes
AC Overcurrent Protection	Yes
DC Reverse-polarity Protection	Yes
PV-array String Fault Monitoring	Yes
DC Surge Arrester	Type II
AC Surge Arrester	Type II
DC Insulation Resistance Detection	Yes
Residual Current Monitoring Unit	Yes
Communication	
Display	LED Indicators, Bluetooth + APP
RS485	Yes
USB	Yes
MBUS	Yes
General	
Dimensions (W x H x D)	1,035 x 700 x 365 mm
Weight (with mounting plate))	85 kg
Operating Temperature Range	-25°C ~ 60°C
Cooling Method	Natural Convection
Max. Operating Altitude	5,000 m (> 4,000 m降额)
Relative Humidity	0 ~ 100%
DC Connector	Amphenol HH4
AC Connector	OT端子
Protection Degree	IP65
Topology	Transformerless